



Jet-Air
Cool, Warm & Collected



JDI 

J-Smart MIRROR



Self-Cleaning



Energy Saving



Quick Cooling / Heating



Proudly distributed by

JASA
Smart Home

J-Smart MIRROR

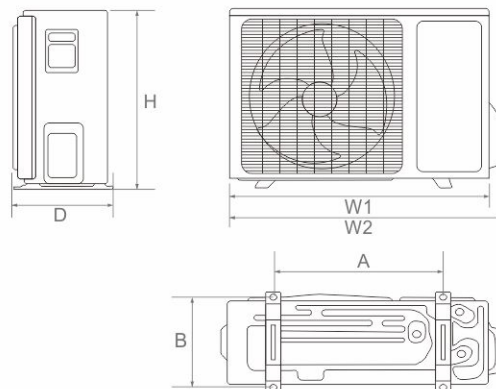
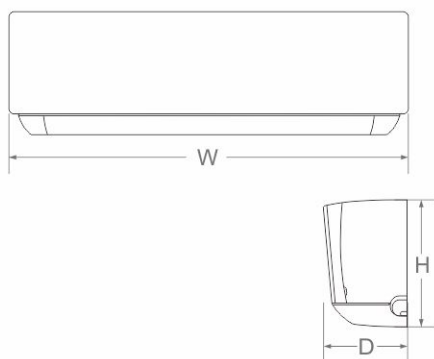
Technical Specifications



Model			JASA-H09A4/JDI	JASA-H12A4/JDI	JASA-H18A4/JDI	JASA-H24A4/JDI
Power Supply		V~,Hz,Ph	220~240,50,1	220~240,50,1	220~240,50,1	220~240,50,1
Capacity	Cooling	W	2500	3520	5250	6300
	Heating	W	2600	3450	5200	7000
Performance		EER/COP	3.05/3.06	3.05/3.29	3.02/3.25	3.07/3.50
Electric Data	Rated Cooling Power Input	W	820	1154	1738	2050
	Rated Heating Power Input	W	850	1050	1600	2000
	Rated Cooling Current	A	3.60	5.50	7.80	10.50
	Rated Heating Current	A	3.70	5.00	7.30	8.50
Indoor	Indoor Air Flow	m/h	600	650	1000	1200
	Noise Level	dB(A)	41	42	48	48
	Outline Dimension (Φ×D)	mm	792×292×201	881×296×205	997×316×227	1132×330×232
	Package Dimension (W×H×D)	mm	880×370×290	965×370×282	1070×385×312	1210×400×327
	Weight Net/Gross	kg	8.0/10.0	9.5/12.0	13.5/17.0	14.5/18.0
Outdoor	Noise Level	dB(A)	48	51	56	58
	Outline Dimension (W×H×D)	mm	780×545×285	780×545×285	860×545×315	950×700×350
	Package Dimension (W×H×D)	mm	850×620×370	850×620×370	920×620×400	1020×770×430
	Weight Net/Gross	kg	25.0/29.0	28.0/33.0	35.0/39.0	48.0/53.0
Refrigerant Pipe	Refrigerant Type	g	R410A/750	R410A/960	R410A/1300	R410A/1560
	Gas	inch	3/8"	3/8"	1/2"	5/8"
	Liquid	inch	1/4"	1/4"	1/4"	1/4"
	Max Length	m	20	20	20	25
	Max Height	m	10	10	10	15

Indoor Dimension		
Model	WxHxD(mm)	Packing Dimension
JASA-H09A4/JDI	792×292×201	880×370×290
JASA-H12A4/JDI	881×296×205	965×370×282
JASA-H18A4/JDI	997×316×227	1070×385×312
JASA-H24A4/JDI	1132×330×232	1210×400×327

Outdoor Dimension			
Model	W1(W2)xHxD(mm)	Packing Dimension	AxB(mm)
JASA-H09A4/JDI	730(780)×545×285	850×620×370	540x280
JASA-H12A4/JDI	730(780)×545×285	850×620×370	540x280
JASA-H18A4/JDI	800(860)×545×315	920×620×400	545x315
JASA-H24A4/JDI	900(950)×700×350	1020×770×430	630x350



Due to JASA policy of constant improvement, specifications are subject to change without prior notice.

Remarks: Cooling capacities are based on indoor air temp. 27°C DB, 19°C WB and outdoor air temp. 35°C DB, 24°C WB. The above specifications are subject to change without prior notice for product improvement.

E.&O.E.

