



Jet-Air  
Cool, Warm & Collected



- High efficiency and energy saving
- ESP reach up to 250Pa high
- High static units for longer ducted runs
- Intelligent defrosting

# Large Ducted Split



Proudly distributed by



# Large Ducted Split Type

## Technical Specifications

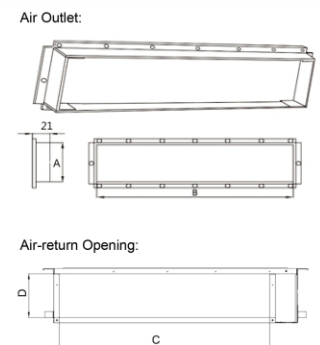
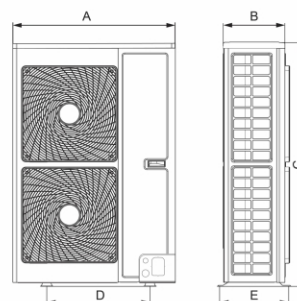
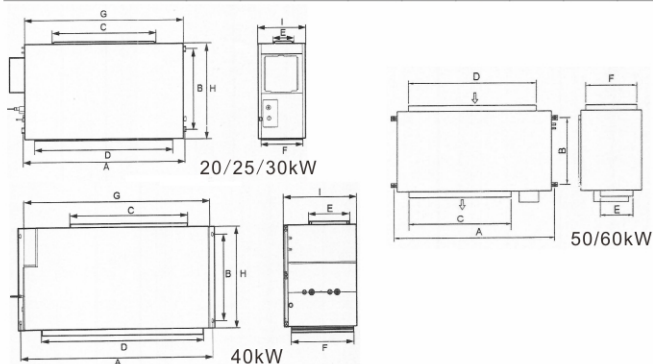


Model	Indoor		JASA-FGR20PdX	JASA-FGR25PdX	JASA-FGR30PdX	JASA-FGR40PdM	JASA-FGR50PdM	JASA-FGR60PdM	
	Outdoor								
Power Supply	V~,Hz,Ph		380~415,50,3	380~415,50,3	380~415,50,3	380~415,50,3	380~415,50,3	380~415,50,3	
Capacity	Cooling	Btu/h	68200	85300	102400	136500	170600	204700	
		kw	20.00	25.00	30.00	40.00	50.00	60.00	
	Heating	Btu/h	75100	93800	112600	146700	180800	218400	
		kw	22.00	27.50	33.00	43.00	53.00	64.00	
Electric Data	Rated Cooling Power Input		kw	7.80	9.44	11.30	15.45	21.70	27.00
	Rated Heating Power Input		kw	7.00	8.87	10.30	13.85	18.90	20.80
	Rated Cooling Current		A	16.5	18.9	22.7	27.8	33.0	41.0
	Rated Heating Current		A	15.6	17.2	20.7	26.4	28.7	31.6
Performance	EER/COP		W/W	2.56/3.14	2.65/3.10	2.65/3.20	2.59/3.10	2.30/2.80	2.22/3.08
Indoor Unit	Indoor Air Flow		m <sup>3</sup> /h	3700	4200	5200	7000	9000	10800
	Noise Level(Hi/Mi/Lo)		dB(A)	52/51/50	53/52/51	55/54/53	56/55/54	60	60
	External Static Pressure	Rated	Pa	120	120	120	120	160	160
	External Static Pressure	Range	Pa	0-250	0-250	0-250	0-250	160	160
	Net Dimension (W*H*D)		mm	1315×760×385	1520×840×450	1520×840×450	1680×900×650	1900×1100×700	1900×1100×850
	Packing Dimension (W*H*D)		mm	1578×883×472	1788×988×580	1788×988×580	1923×1153×850	2123×1493×900	2123×1493×1055
	Net/Gross Weight		kg	82.0/104.0	99.0/134.0	105.0/145.0	165.0/210.0	255.0/330.0	270.0/350.0
Outdoor Unit	Noise Level		dB(A)	62	63	65	62	63	65
	Dimension	Net	mm	940×320×1430	940×460×1615	940×460×1615	940×320×1430	940×460×1615	940×460×1615
	(W×D×H)	Packing	mm	1038×438×1580	1038×578×1765	1038×578×1765	1038×438×1580	1038×578×1765	1038×578×1765
	Weight	Net/Gross	kg	120/130	146/162	175/190	120/130	146/162	175/190
	Outdoor Quantity		unit	1	1	1	2	2	2
	Refrigerant Pipe	Liquid Side		inch	3/8"	3/8"	1/2"	3/8"	3/8"
Gas Side		inch	3/4"	7/8"	1/1"	3/4"	7/8"	1/1"	
Max. Length		m	70	70	70	70	70	70	
Max. Height		m	30	30	30	30	30	30	

Model	Indoor Dimension								
	A	B	C	D	E	F	G	H	I
JASA-FGR20PdX	1355	632	992	1150	192	326	1315	760	385
JASA-FGR25PdX	1563	707	992	1350	192	402	1520	840	450
JASA-FGR30PdX	1563	707	962	1350	262	402	1520	840	450
JASA-FGR40PdM	1730	760	1054	1450	359	557	1680	900	650
JASA-FGR50PdM	1980	1040	1120	1650	347	600			
JASA-FGR60PdM	1980	1040	1120	1650	347	755			

Outdoor Dimension				
A	B	C	D	E
940	320	1430	632	350
940	460	1615	610	486
940	460	1615	610	486
940	320	1430	632	350
940	460	1615	610	486
940	460	1615	610	486

Size of Air Outlet		Size of Air-return Opening	
A	B	C	D
192	992	1150	326
192	992	1350	402
262	962	1350	402
359	1054	1450	557
347	1120	1650	600
347	1120	1650	755



Due to JASA policy of constant improvement, specifications are subject to change without prior notice.

Remarks: Cooling capacities are based on indoor air temp. 27°C DB, 19°C WB and outdoor air temp. 35°C DB, 24°C WB. The above specifications are subject to change without prior notice for product improvement.

E.&O.E.

