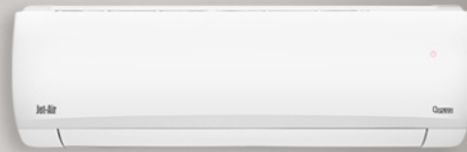




Jet-Air
Cool, Warm & Collected



Q PLUS
FIXED SPEED



I Feel

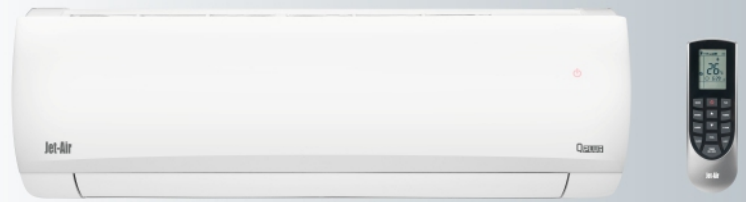


Auto Restart



Comfortable
Sleep Mode

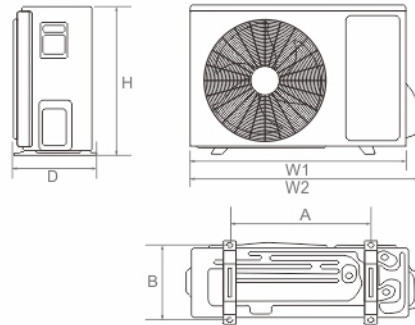
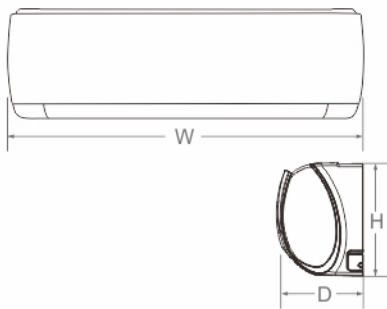
Technical Specifications



Model			JASA-H09A4/QB	JASA-H12A4/QC	JASA-H18A4/QD	JASA-H24A4/QE	JASA-H30A4/QE	JASA-H36A4/QE
Power Supply		V~,Hz,Ph	220~240,50,1	220~240,50,1	220~240,50,1	220~240,50,1	220~240,50,1	220~240,50,1
Capacity	Cooling	W	2530	3517	5000	6500	8900	9500
	Heating	W	2600	3650	5300	6500	9600	9800
Performance		EER/COP	3.01/3.45	3.21/3.61	3.21/3.64	3.30/3.61	3.21/3.61	3.21/3.21
Electric Data	Rated Cooling Power Input	W	840	1095	1557	1970	2772	2960
	Rated Heating Power Input	W	753	1010	1456	1800	2659	3050
	Rated Cooling Current	A	3.90	5.10	7.40	9.50	12.30	13.10
	Rated Heating Current	A	3.34	4.70	6.90	8.00	12.00	13.50
Indoor	Indoor Air Flow	m ³ /h	570/520/410/280	680/620/490/390	850/720/610/520	1250/1060/930/800	1200/1100/1000/850	1250/1200/1150/950
	Noise Level	dB(A)	41/37/34/28	41/37/33/28	47/43/39/35	49/46/40/36	51/48/42/39	48/47/42/41
	Outline Dimension (W×H×D)	mm	779×260×185	825×293×196	970×300×224	1078×325×246	1135×328×247	1078×325×246
	Package Dimension (W×H×D)	mm	828×332×258	875×365×268	1025×378×304	1148×413×350	1193×410×350	1148×413×350
	Weight Net/Gross	kg	8.5/10.0	10.0/12.0	13.5/15.6	17.0/20.5	17.0/20.5	17.0/20.5
Outdoor	Noise Level	dB(A)	50	51	53	53	57	58
	Outline Dimension (W×H×D)	mm	710×450×293	732×555×330	802×555×350	912×646×373	955×700×396	980×790×427
	Package Dimension (W×H×D)	mm	764×525×330	794×615×376	872×620×398	963×695×411	1029×750×458	1083×855×488
	Weight Net/Gross	kg	25.0/27.0	29.5/32.0	38.5/41.0	50.0/53.0	61.0/65.5	67.0/72.0
Refrigerant Type		g	R410A/570	R410A/810	R410A/1200	R410A/1500	R410A/1900	R410A/2050
Refrigerant Pipe	Gas	inch	3/8"	1/2"	1/2"	5/8"	5/8"	5/8"
	Liquid	inch	1/4"	1/4"	1/4"	1/4"	1/4"	1/4"
	Max Length	m	15	20	25	25	30	30
	Max Height	m	10	10	10	10	10	10

Indoor Dimension		
Model	WxHxD(mm)	Packing Dimension
JASA-H09A4/QB	779×260×185	828×332×258
JASA-H12A4/QC	825×293×196	875×365×268
JASA-H18A4/QD	970×300×224	1025×378×304
JASA-H24A4/QE	1078×325×246	1148×413×350
JASA-H30A4/QE	1135×328×247	1193×410×350
JASA-H36A4/QE	1078×325×246	1148×413×350

Outdoor Dimension			
Model	W1(W2)xHxD(mm)	Packing Dimension	AxB(mm)
JASA-H09A4/QB	650(710)×450×293	764×525×330	430x272
JASA-H12A4/QC	675(732)×555×330	794×615×376	455x312
JASA-H18A4/QD	745(802)×555×350	872×620×398	513x332
JASA-H24A4/QE	842(912)×646×373	963×695×411	582x333
JASA-H30A4/QE	894(955)×700×396	1029×750×458	560x368
JASA-H36A4/QE	923(980)×790×427	1083×855×488	610x399



Due to JASA policy of constant improvement, specifications are subject to change without prior notice.

Remarks: Cooling capacities are based on indoor air temp. 27°C DB, 19°C WB and outdoor air temp. 35°C DB, 24°C WB. The above specifications are subject to change without prior notice for product improvement.

E.&O.E.

