



Jet-Air  
Cool, Warm & Collected



SHINE  
SERIES  
SHI

Floor Standing



Turbo  
Cooling



Energy  
Saving



Quiet  
Design



Proudly distributed by

**JASA**  
Smart Home

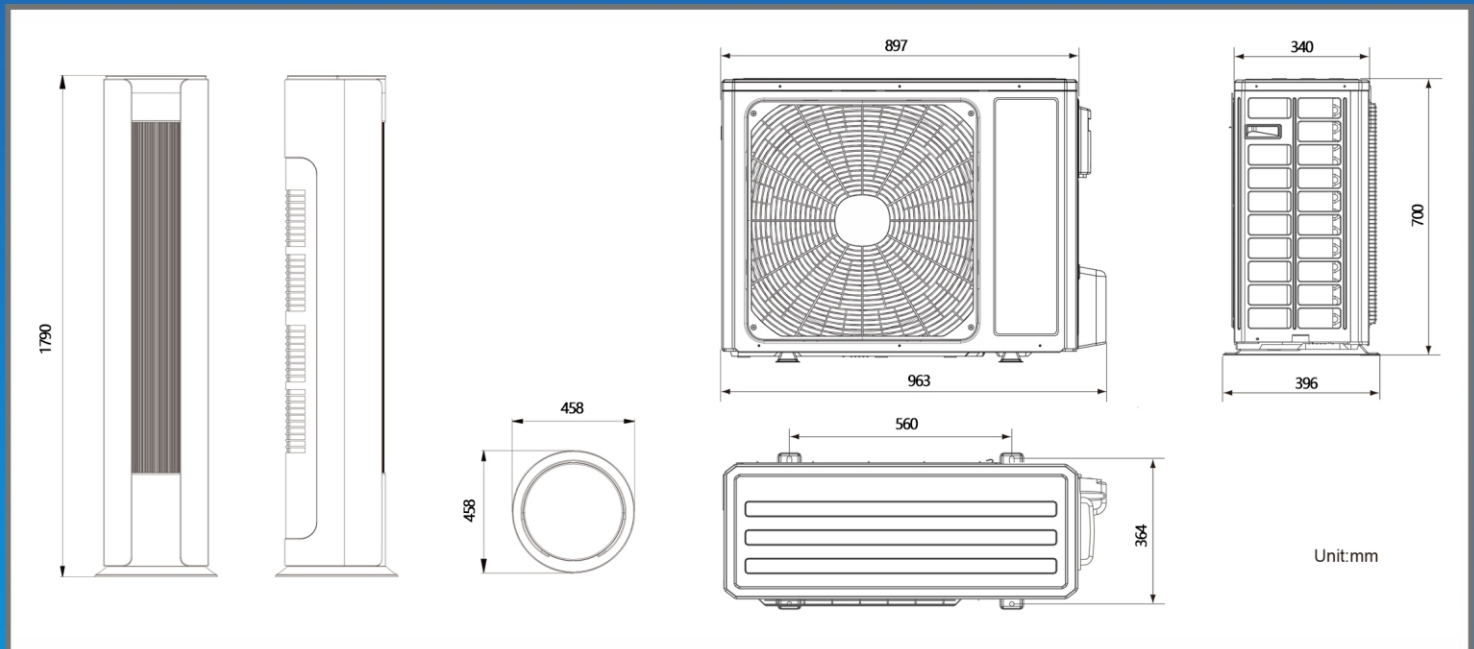


# SHINE Inverter

## Technical Specifications



Model			JASA-H24A4/SHI
Power Supply		V~,Hz,Ph	220~240,50,1
Capacity	Cooling	W	7100
	Heating	W	8800
Performance		EER/COP	3.20/3.20
Electric Data	Rated Cooling Power Input	W	2220
	Rated Heating Power Input	W	2750
	Rated Cooling Current	A	10.46
	Rated Heating Current	A	13.03
Indoor	Indoor Air Flow	m/h	1480/1200/1060/750/570/750
	Noise Level	dB(A)	48/42/39/35/30
	Outline Dimension (Φ×D)	mm	458×1790×458
	Package Dimension (W×H×D)	mm	543×2083×535
	Weight Net/Gross	kg	50.0/65.5
Outdoor	Noise Level	dB(A)	57
	Outline Dimension (W×H×D)	mm	955×700×396
	Package Dimension (W×H×D)	mm	1029×750×458
	Weight Net/Gross	kg	54.0/58.0
Refrigerant Pipe	Refrigerant Type	g	R410A/2000
	Gas	inch	1/4"
	Liquid	inch	5/8"
	Max Length	m	30
	Max Height	m	20



Due to JASA policy of constant improvement, specifications are subject to change without prior notice.

Remarks: Cooling capacities are based on indoor air temp. 27°C DB, 19°C WB and outdoor air temp. 35°C DB, 24°C WB. The above specifications are subject to change without prior notice for product improvement.

E.&O.E.

